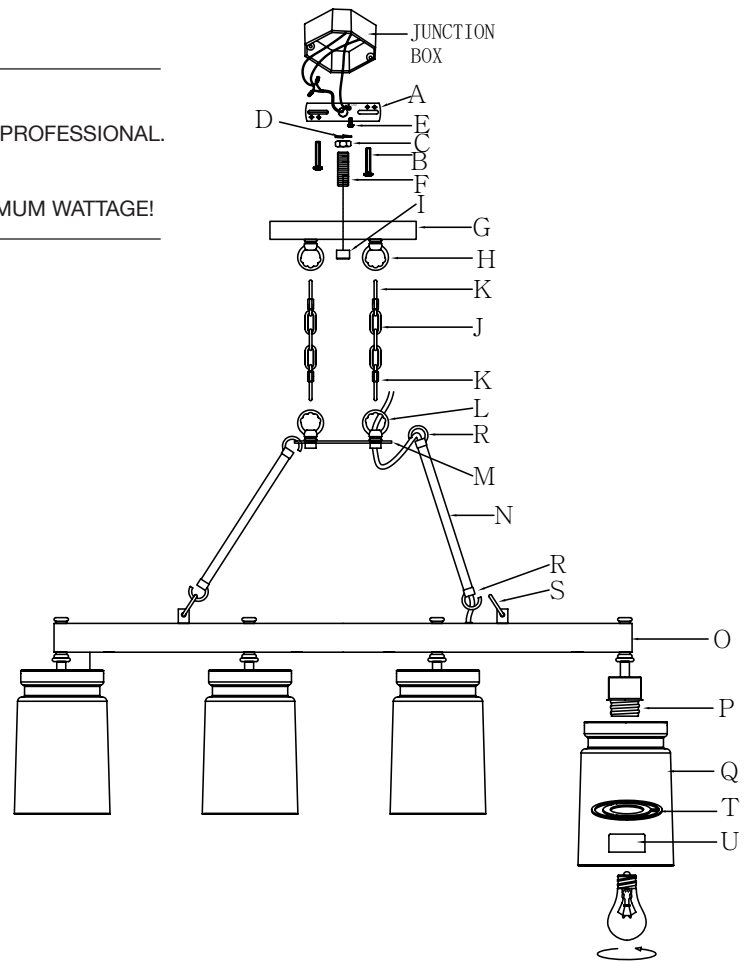
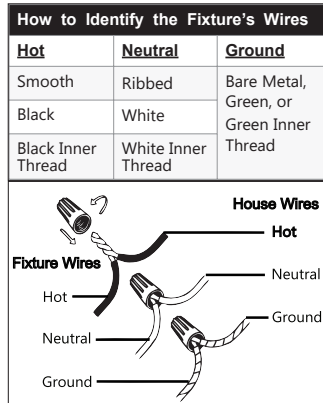


Instructions: 1405-LP (Travers)

IMPORTANT:

- ALL INSTALLATION WORK SHOULD BE DONE BY ACCREDITED PROFESSIONAL.
- SHUT OFF POWER SUPPLY AT FUSE OR CIRCUIT BREAKER!
- USE ONLY THE SPECIFIED BULBS. DO NOT EXCEED THE MAXIMUM WATTAGE!

For Customer Service, please contact the place of purchase.



PREPARING FOR INSTALLATION

Remove all of the contents from the carton. See the important notes above. Remove the old fixture from the ceiling including the old mounting strap.

1. Take the mounting strap assembly from the parts bag. Mounting strap (A) has nipple (F) attached with washer (D) and hex nut (C). Please test the canopy against the mounting strap and practice threading deco nut (I) onto the nipple (F) to ensure that it fits properly. Adjust the threads of the nipple in the mounting strap until it does.
2. Holding mounting strap (A) up to the junction box, thread the house wires through nipple (F). Secure mounting strap (A) to the junction box with mounting screws (B) and a screwdriver. Tighten the screws securely.
3. Gently place frame (O) on a flat surface. Hook connector rods (N) to frame (O) at hoops (S) and spider (M). By measuring, determine the correct amount of chain and wire needed for proper hanging height. If necessary, use a pair of pliers to open and remove any excess chain. Attach one of chain connectors (K) to each end of chains (J). Attach one end of each chain to top loop (L) using chain connector (K) and close chain connector (K). Pass the fixture's wires through top loop (H) and the chain every three links or so. Pull the wires until taut and pass the wires through one of canopy loop (H) and then through the center of the canopy.

CONNECTING THE WIRES

4. Have an assistant support the fixture's weight while completing the wiring. Refer to the wiring diagram and attach the fixture's wires to the power supply wires from the junction box. Connect Hot to Hot, Neutral to Neutral, and Ground to Ground. Twist the ends of the wire pairs together, and then twist on a wire connector. Make sure all twists are in the same direction. If there is no house ground wire coming from the junction box, locate ground screw (E) on the mounting bracket/mounting strap and wrap the fixture's ground wire around the ground screw. Use a screwdriver to tighten the top of ground screw (E) onto the wires and into the mounting bracket/mounting strap. Tuck the wires into the junction box.

FINISHING THE INSTALLATION

5. Place canopy (G) over mounting strap (A) and thread deco nut (I) onto nipple (F). Twist until canopy (G) is snug against the ceiling.

Note: Complete the remaining steps **after** the fixture has been hung.

6. Carefully push glass shade (Q) over socket (P). Secure the glass in place with spider (T) and socket cover (U). Repeat until all glass shades are hung.

Install light bulbs (not provided) in accordance with the fixture's specifications. Do not exceed the maximum recommended wattage.

Your installation is now complete. Turn on the power and test the fixture.

CLEANING TIPS

Treat the fixture gently! Regular cleaning will reduce the need for deep cleaning. For regular cleaning, turn off the light and wipe down the fixture with a clean lint-free cotton or microfiber cloth. Never spray cleaner directly onto the fixture.